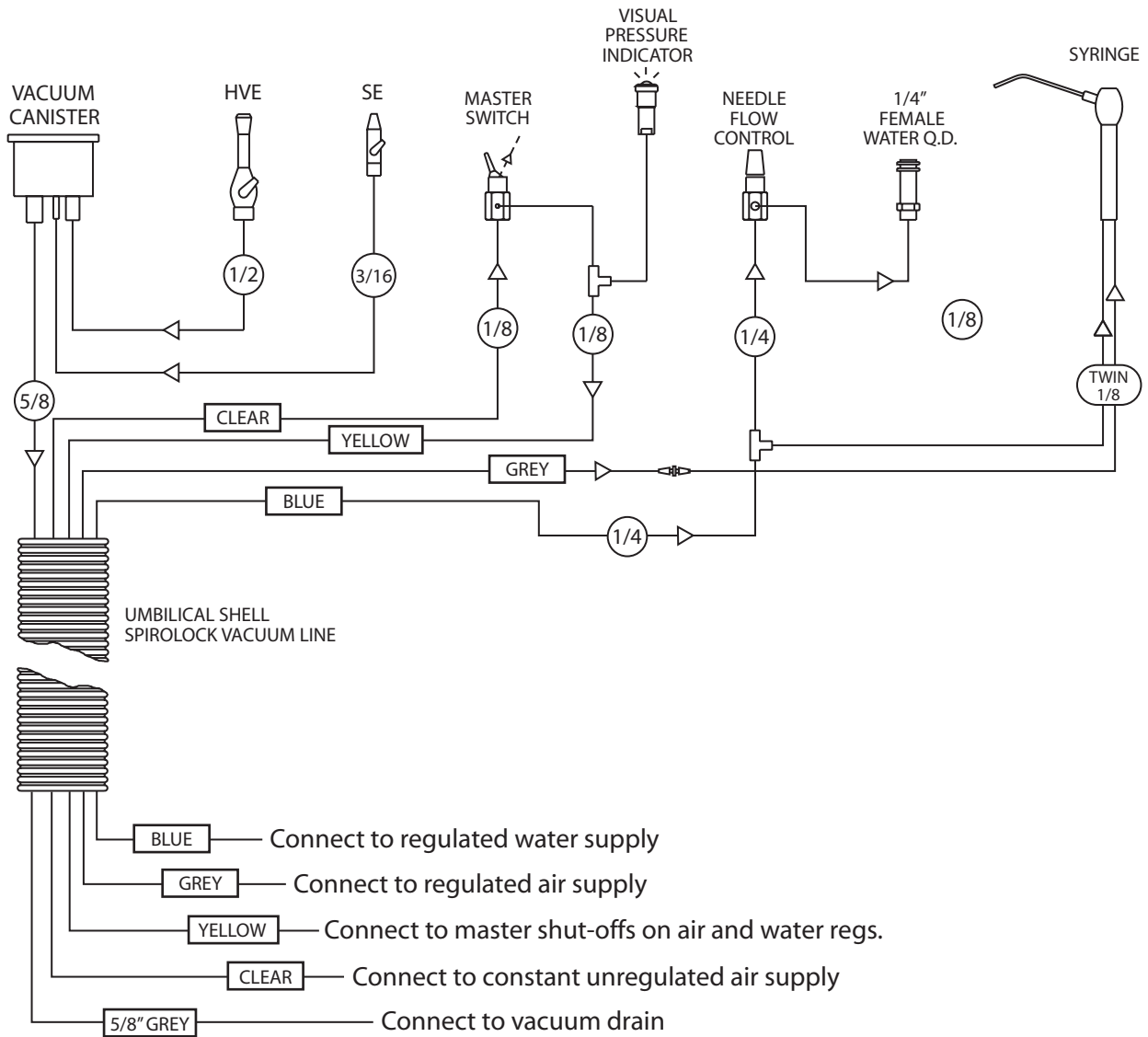


S-1806 Assistant's Package Installation/ Technical Schematic



The master switch on this package is designed to switch the air and water regulators on and off. If the operator is already configured with a Dr.'s unit which employs this same style of master switch, leave the clear and yellow tubing disconnected at the utility center. If the master switch is not plumbed to the regulators, all potential users must be informed that the visual indicator will not be active and that the utilities must be shut off through some other means before servicing the syringe.